

Grower Cage System ▶

TSIS grower cage, available in flat-deck and double-deck system. Hot-dip galvanized wire cages of 24" in depth for Flat Deck and 26" in for double deck. Provide better ventilation and uniform lights. The cages and metal support stand are hot-dip galvanized after weld for rust protection.

The slant front cage on our double-deck grower system are designed for easy reach to birds. This help management of bird easier. Cage floor is of 1" x 1" grid, reduces injuries and provides comfort to the birds.

Benefits for the poultry producers:

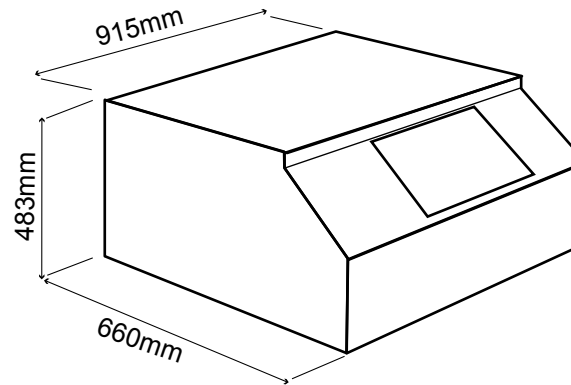
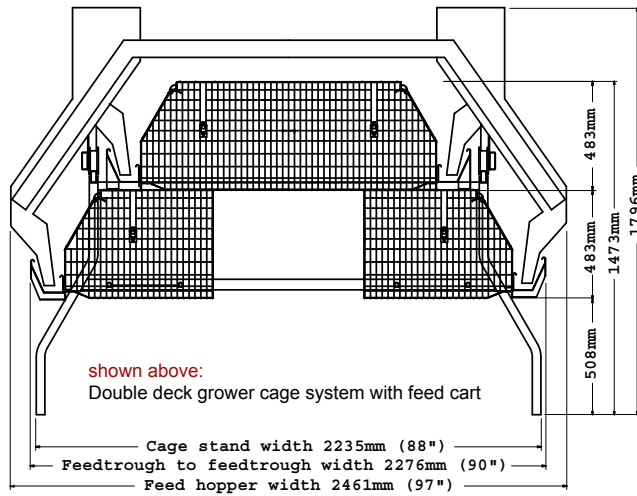
- Easy management - low density per compartment;
- easy monitoring and reach;
- labour and feed saving;
- less mortality;
- uniform birds;
- reduces disease problems.



Made In Malaysia

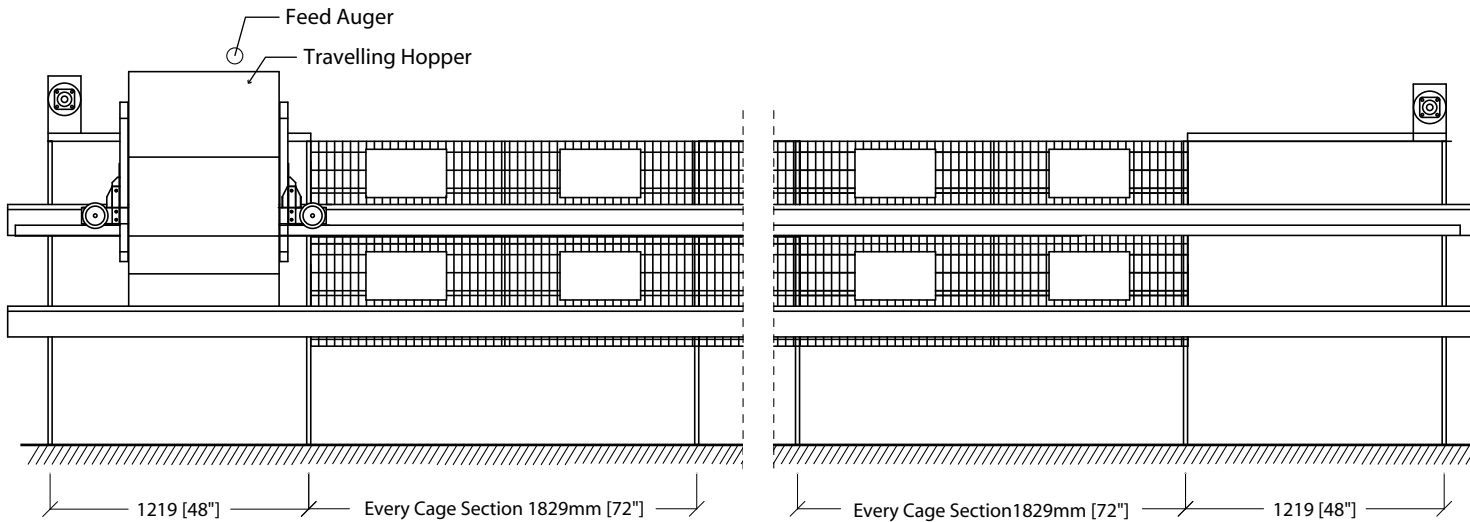


**SECTION VIEW :
TSIS DOUBLE DECK GROWER CAGE SYSTEM WITH FEED CART**



Cage Dimensions

LONGITUDINAL VIEW : TSIS DOUBLE DECK GROWER CAGE SYSTEM WITH FEED CART



Start section kit

- Feed cart fill / park station
- Drive unit

End section kit

- Feed cart park station
- Idler unit

* All dimension in mm (inch)

Cage Specification	
Model	Grower Cage
Period	30 days to 105 days (5 weeks to 15 weeks)
Density of bird per compartment	15 birds - standard open house 20 birds - tunnel ventilation house
Cage size - mm (inch)	Flat Deck = 381mm x 610mm x 915mm (H15" x D24" x W36") Double Deck = 483mm x 660mm x 915mm (H19" x D26" x W36")
Floor area - in ² (cm ²)	D24" x W36" = 864 in ² (5582 cm ²) D26" x W36" = 936 in ² (6039 cm ²)
Every Cage Section	Flat Deck = 4 compartments Double Deck = 8 compartments
Cage Section Length	Flat Deck = 1829mm (72") Double Deck = 1829mm (72")
Cage Design	Wire
Standard material	Hot dip galvanized after weld
Door Piece Material	Hot-dip galvanized before weld
Feeder Specification	
Feeding	Double Deck = Feed cart (standard)* Flat Deck = Chain feeder
Drive unit	Flat Chain = max. 1.5h.p. (1.1kw) per system Feed Cart = 0.5h.p. (0.375kw) per row
Feed trough material	0.8 - 1 mm galvanized steel sheet
Watering Specification	
Watering	Nipple (adjustable height)
Diameter of supply line	Dia. 3/4 PVC pipe
Water supply with	Flo-regulator
Drinker per compartment	2

* chain feeder also available.

Equipment specification subject to change without prior notice.



Tong Seh Industries Supply Sdn. Bhd.

Lot 780, Block A, Jalan Sungai Putus, Off Jalan Kapar,
3 3/4 Miles, 42100 Klang, Selangor, Malaysia.
Tel: (603)-3291 6958, 3291 1267 Fax: (603)-3342 8360, 3291 5198
Website: www.tongseh.com.my E-mail: enquiry@tongseh.po.my