



A-Frame Layer Cage System ▶



Quality Materials

TSIS cage wire is completely fabricated in our own wire manufacturing facility. The wire plant specializes in poultry cages, developing and perfecting new techniques to provide a consistently top quality cage product.

The new mesh is hot dip galvanized after welding by a special dipping process that leaves every welded joint completely and smoothly covered with a protective bonding. This step provides a sure seal over cage completely, where protection from corrosives is most important.

Superior suspension and performance

The cages have a far superior suspension system. Our rigid, one piece cage stand making the super-structure of the cage row stiffer and better aligned from end-to-end.

Real flexibility

The layer cages gives you a wide choice of cage profiles, a real choice of what is best for your situation. We offer the choice of 30.48cm (12"), 40.6cm (16") & 50.8cm (20") widths.

Cage Floor

Prime attention being focus on construction of our cage floor, elastic and gentle roll-off slope to assure proper egg roll throughout the life of the cage with minimum checks and cracks on eggs.

Cage Doors

Horizontal wire sliding door is easily operated and allow birds to eat their feed simultaneously.

Feeding

Travelling Hopper Feeder System - Feed contained inside the hopper drops by gravity through outlet into a feed dosing unit that slide on the bottom along the feed trough. Our filling system helps to avoid ingredient separation and feed blockage. Accurate feed distribution are easily achieve and right amount of feed can be regulated very easily by means of two screws.

Drinking System

The cages come standard with nipple watering system which features :

- Flow Regulator (automatic flush capability)
- 360° action trigger pin

Egg Collector

Option 1: Elevator Model

Option 2: Rubber Finger Transfer Model (only for 2 tier)



Feeding



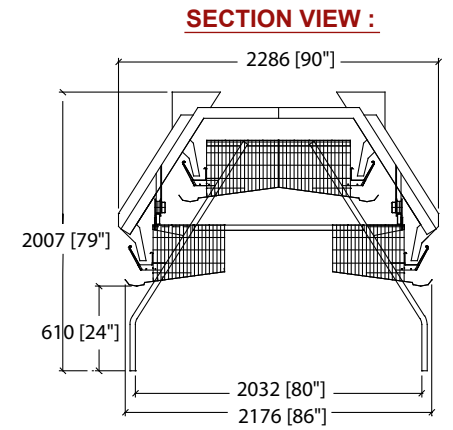
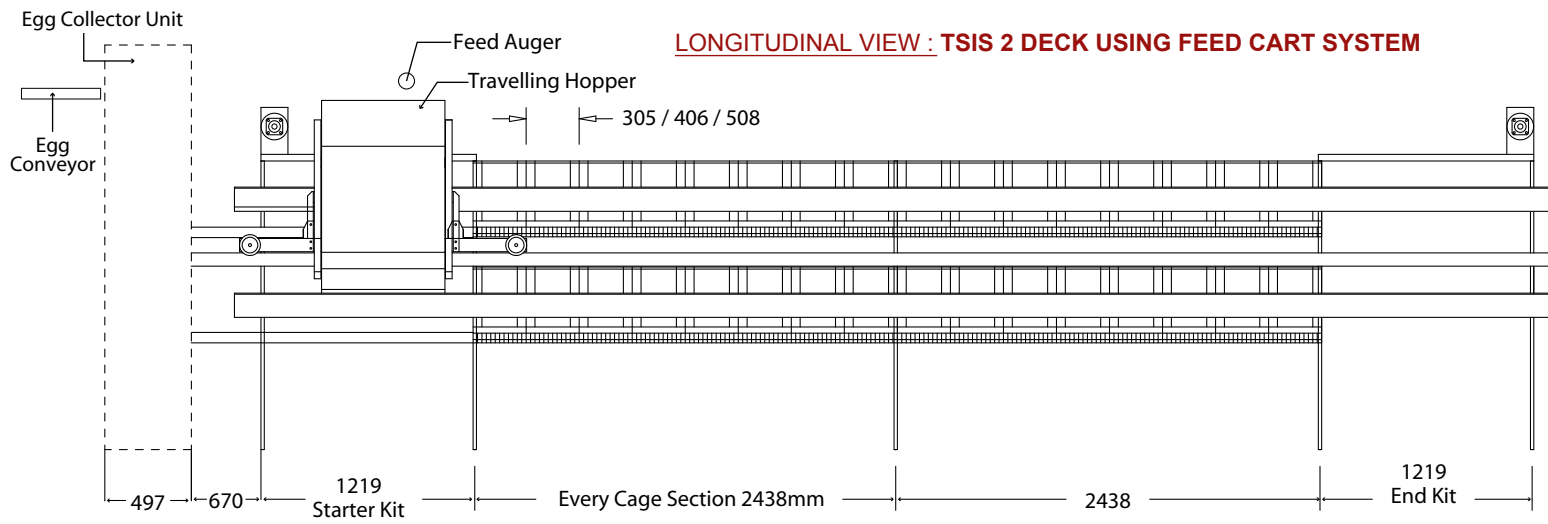
Cage Doors



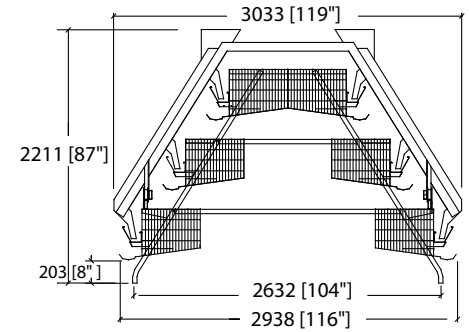
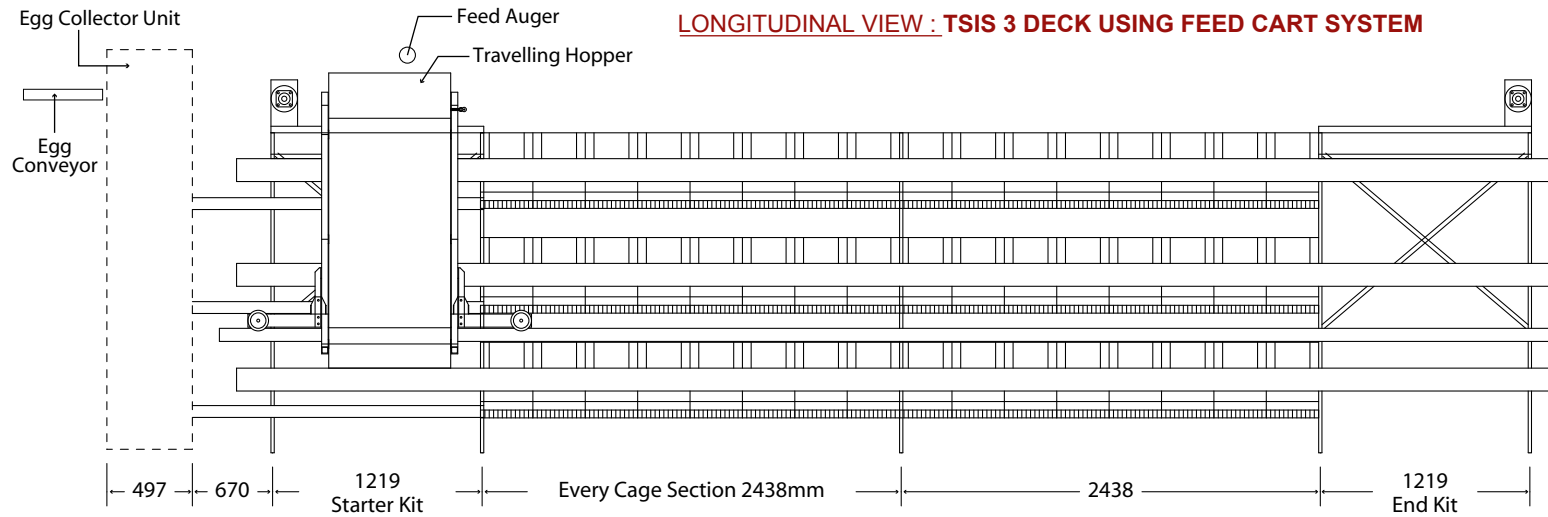
Elevator Model



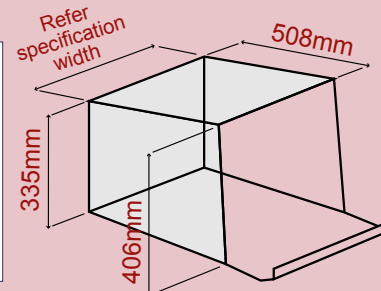
Rubber Finger Transfer Model



shown above:
2 Tiers, A-Frame Layer Cage System with Travel Cart Feeding System.



shown above:
3 Tiers, A-Frame Layer Cage System with Travel Cart Feeding System.



Cage Dimensions

Cage Specification		
Model	2 Tiers	3 Tiers
Cage Depth	508mm (20")	
Cage Width	304mm, 406mm & 508mm (12", 16" & 20")	
Cage Section Length	2438mm (96") ***	
Cage Section Width	2286mm (90")	3033mm (119")
Cage design	wire	
Standard material	Hot dip galvanized after weld *	
Feeder Specification		
Feeding	Travel feed cart (standard)**	
Drive unit	0.5h.p (0.375 kw) per row	
Feed trough	Front feeding (feed saving high lip trough)	
Material	0.8 - 1.0mm galvanized steel sheet	
Watering Specification		
Watering	Nipple	
Diameter of supply line	1"	
Water supply with :	Flo-regulator	

* heavy galvanized wire for door (standard).
** chain feeder also available.
*** cage width of 50.8cm, cage section length is 2032mm.



Tong Seh Industries Supply Sdn. Bhd.

Lot 780, Block A, Jalan Sungai Putus,
Off Jalan Kapar, 3 ¾ Miles, 42100 Klang,
Selangor, Malaysia.
Tel: (603)-3291 6958, 3291 1267
Fax: (603)-3342 8360, 3291 5198
Website: www.tongseh.com.my
E-mail: enquiry@tongseh.po.my



Equipment specification subject to change without prior notice.